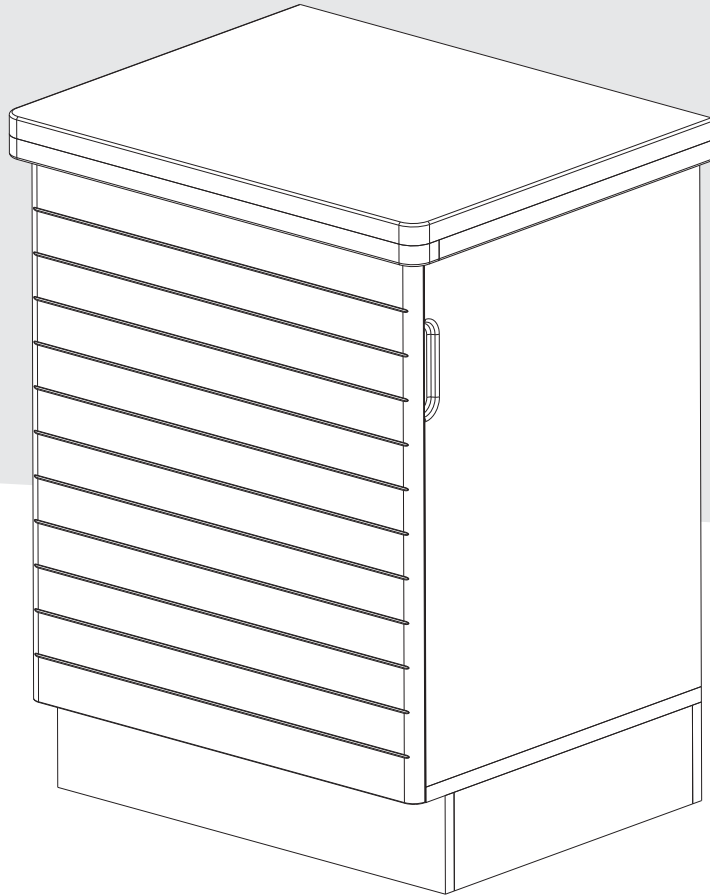
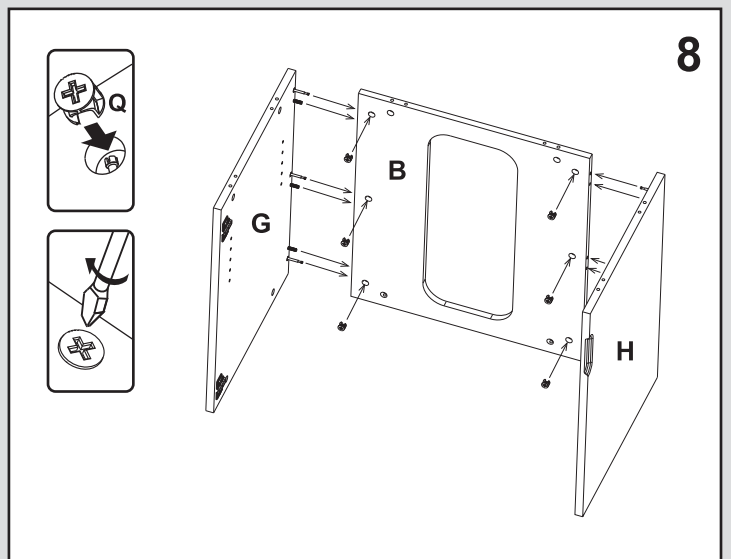
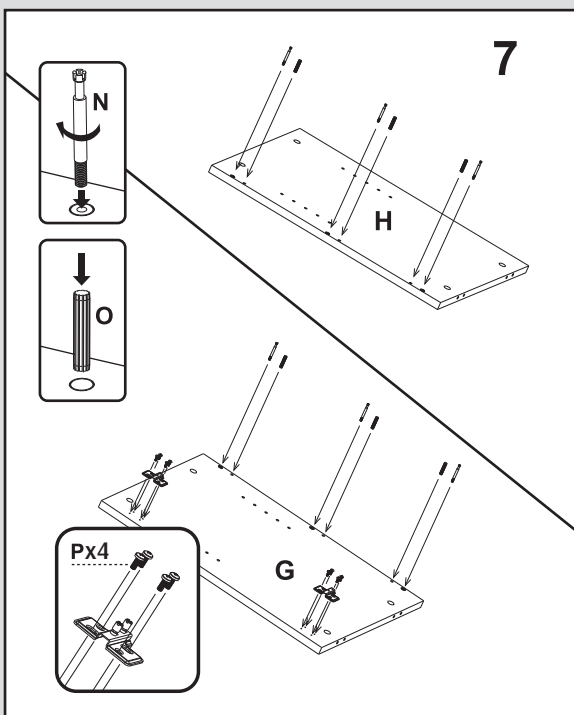
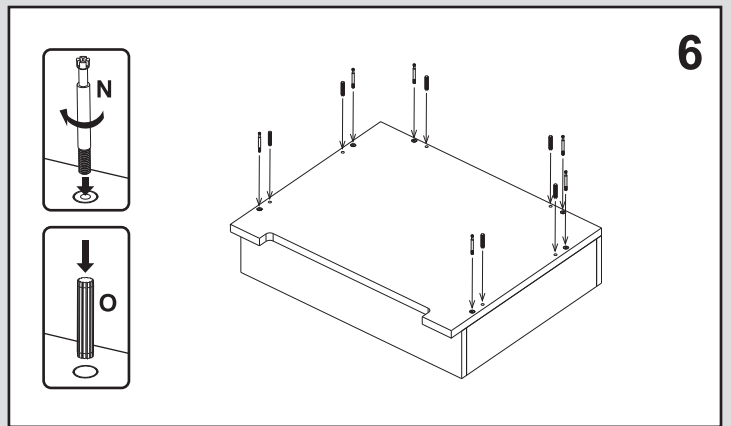
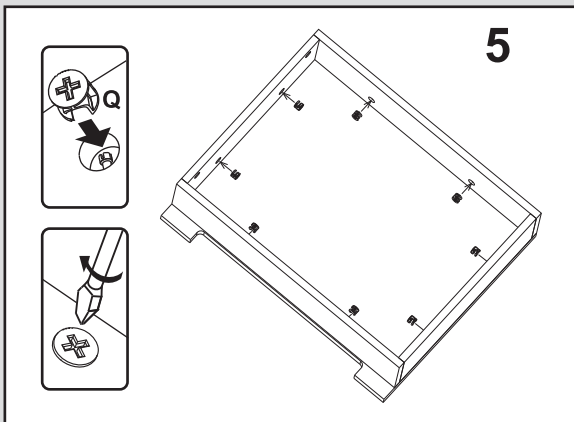
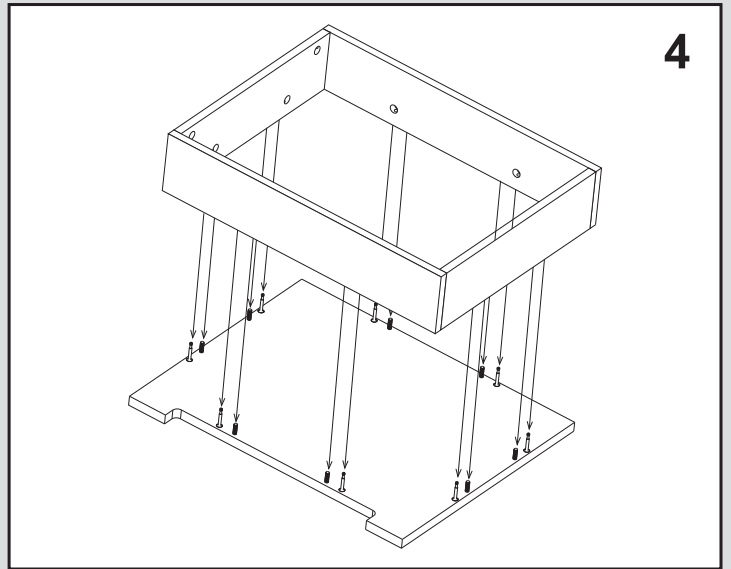
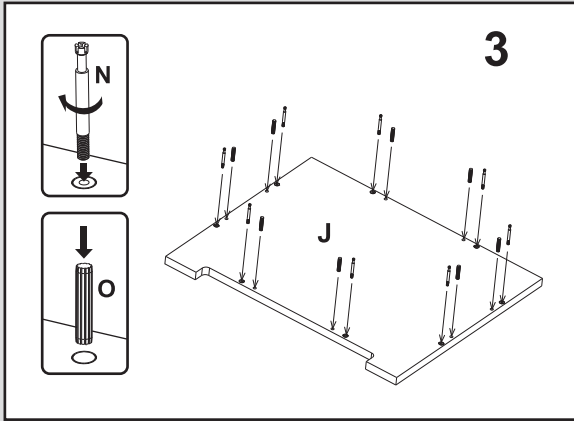
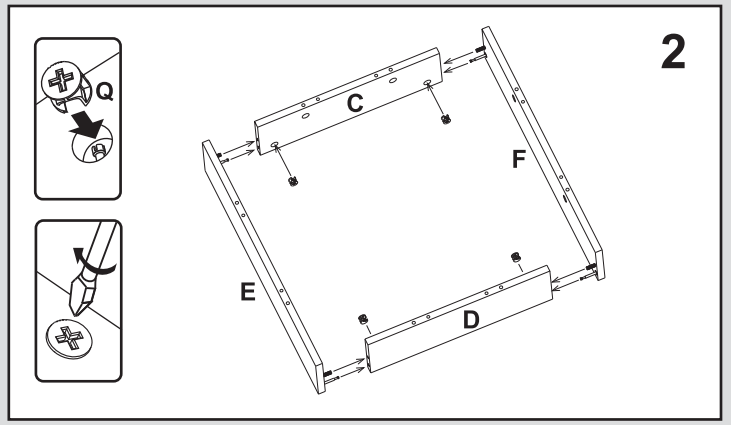
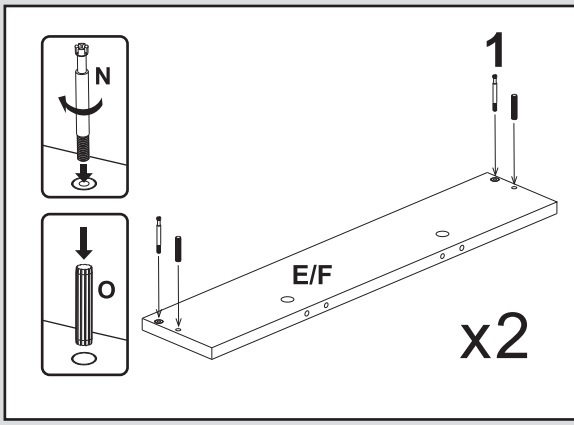


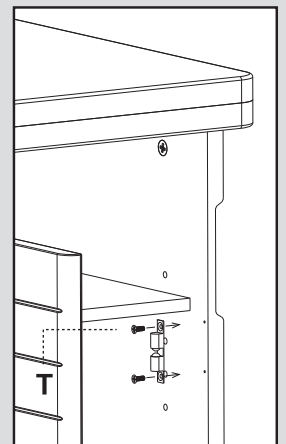
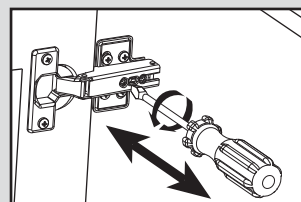
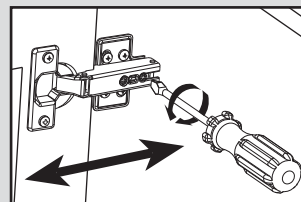
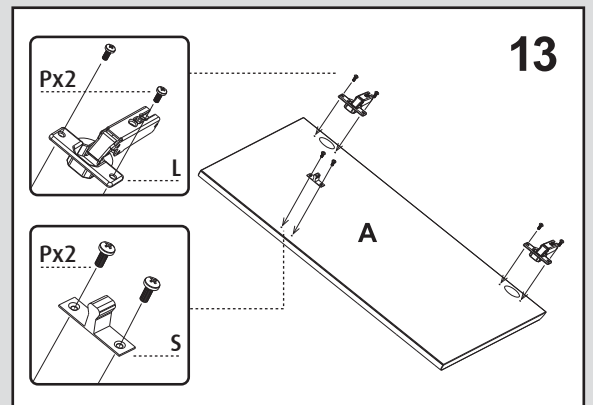
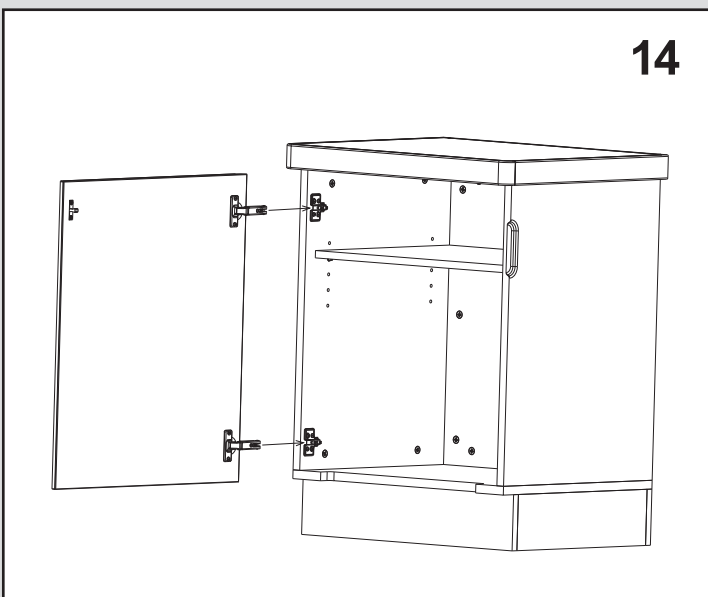
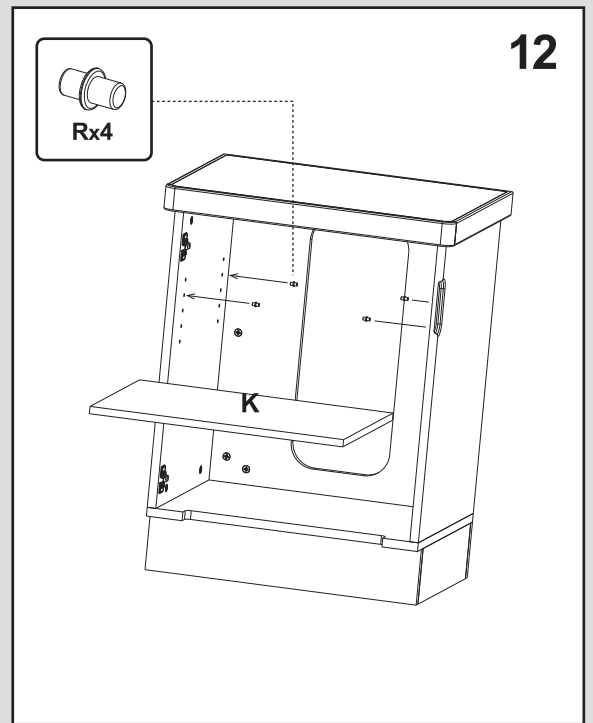
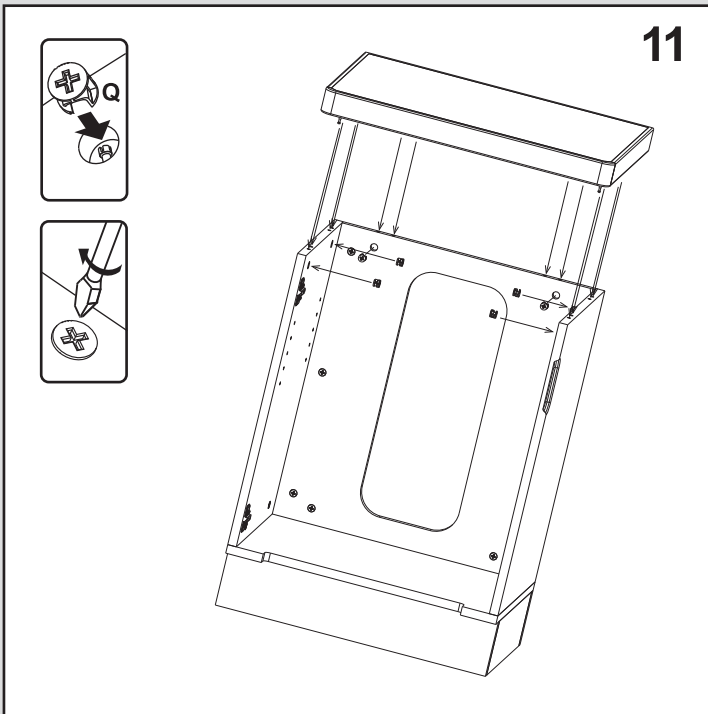
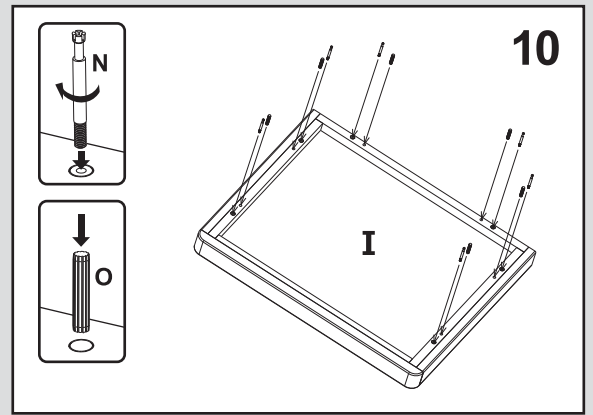
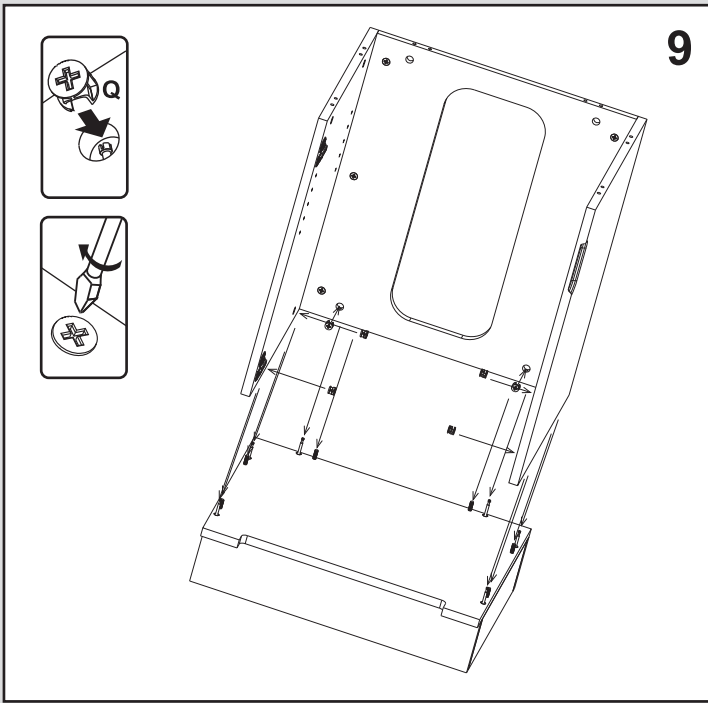
Red Sea MAX 130

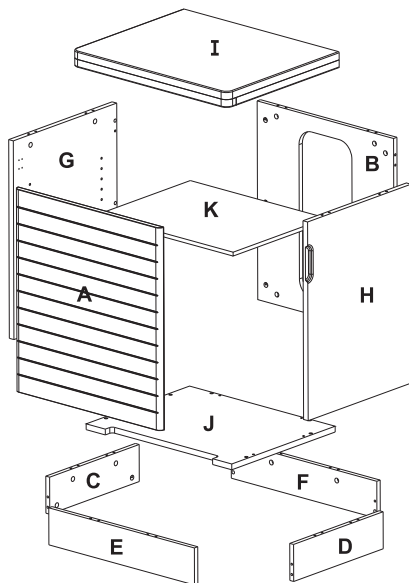
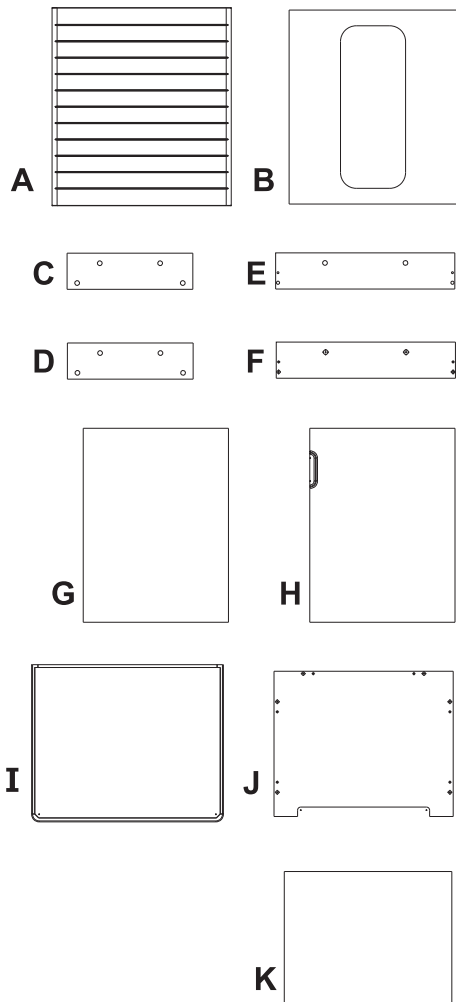


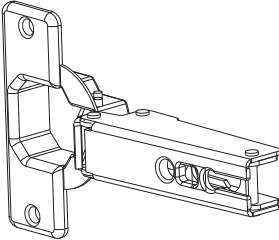
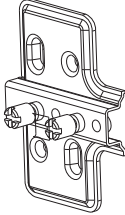


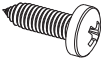


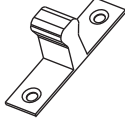
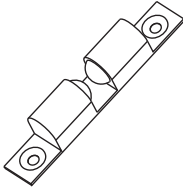
Totem Cabinet

INSTALLATION GUIDE







	L	x2
	M	x2
	N	x30
	O	x30
	P	x16
	Q	x30
	R	x4
	S	x1
	T	x1

Red Sea Europe
 ZA de la St-Denis,
 F-27130 Verneuil s/Avre,
 France
 Tel: (33) 2 32 37 71 37

Red Sea U.S.A.
 18125 Ammi Trail
 Houston, TX 77060
 Tel: 1-888-RED-SEA9

Red Sea Deutschland
 Hauptstrasse 37
 40699 Erkrath
 Tel. 02104 175888

Red Sea Asia Pacific
 6/252, Royal Regent Place II,
 Soi Mahad Iekluang 2,
 Rachadamri Road,
 Bangkok 10330, Thailand.
 Tel. +66 99268080

 **Red Sea**
www.redseafish.com